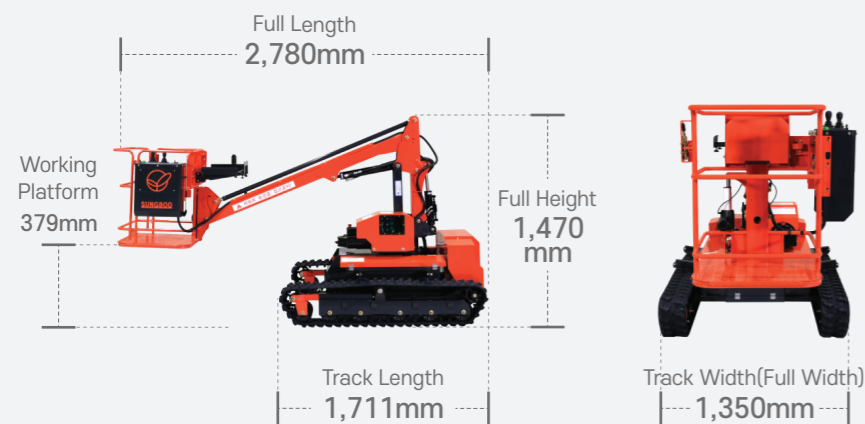


# SB-6000S

- The Best Boom-Typed Practical Model
- A cost-saving 2-step bending boom-typed high-place working vehicle

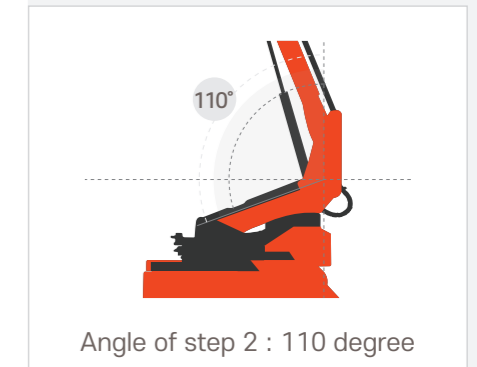
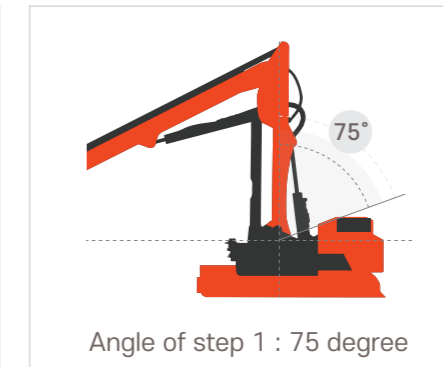
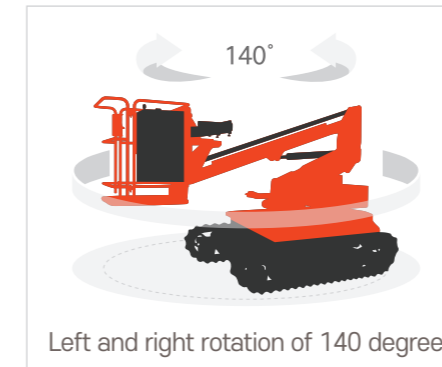
## Boom-typed motorized vehicle

SB-6000S is available for 140 degree rotation to the left and right and for works with the width of 6m. It is a model with the 2-step bending boom type and vibration of the boarding plate is less upon working, and work efficiency is improved since it has higher degree of freedom of working.

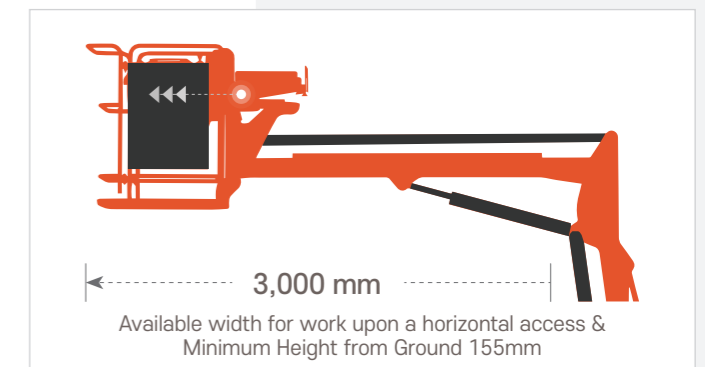
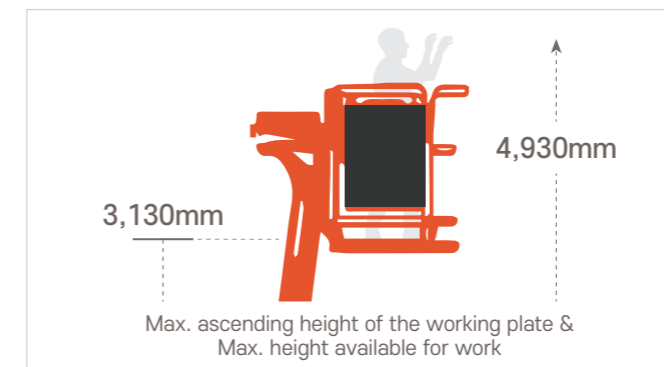


Size (L×W×H)	2,780×1,350×1,470 mm
Weight and Speed	947 kg   2.4km/h
A drive motor type	48V   1.3KW × 2EA
Max. Load	100 kg

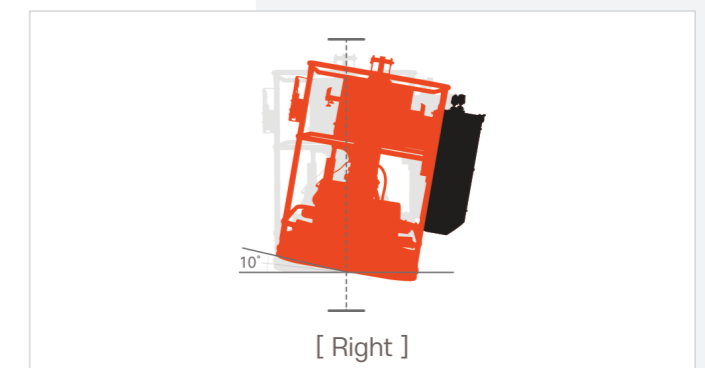
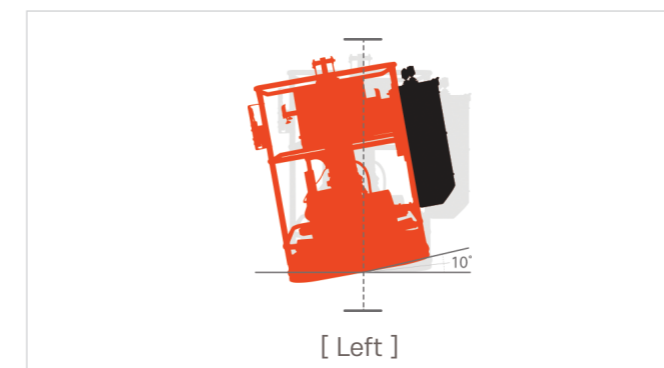
## Left and right rotation of 140 degree & A 2-step bending boom type



## Max. height available for work 5m & Available for a horizontal access



## A horizontal control device (10 degree of a horizontal angle)



<b>Distilled Water Filling Alarm System</b>  Maintaining the battery's performance by the pre-alarm system	<b>Using the premium dedicated battery</b>  Equipped with high-performance six Longest 8Vs	<b>Applying the first 2 joints in the country</b>  Reducing the working speed and minimizing damages on fruit trees	<b>Audio System</b>  a radio, a cigar jack and a multipurpose compartment installed	<b>Upgraded suspension</b>  A structure preventing deviation from the track and minimizing vibration
<b>Emergency stop as a safety device</b>  Stopping operation upon emergency, guaranteeing safety of workers	<b>Low-centered design method</b>  Excellent safety upon left, right and level functions	<b>A dedicated joystick</b>  A delicate adjustment and simple operation	<b>Optimal stability</b>  Distribution of loads on the entire track / Excellent stability	<b>Communication system</b>  Checking communication between controllers / Easy to take quick measures as customer services